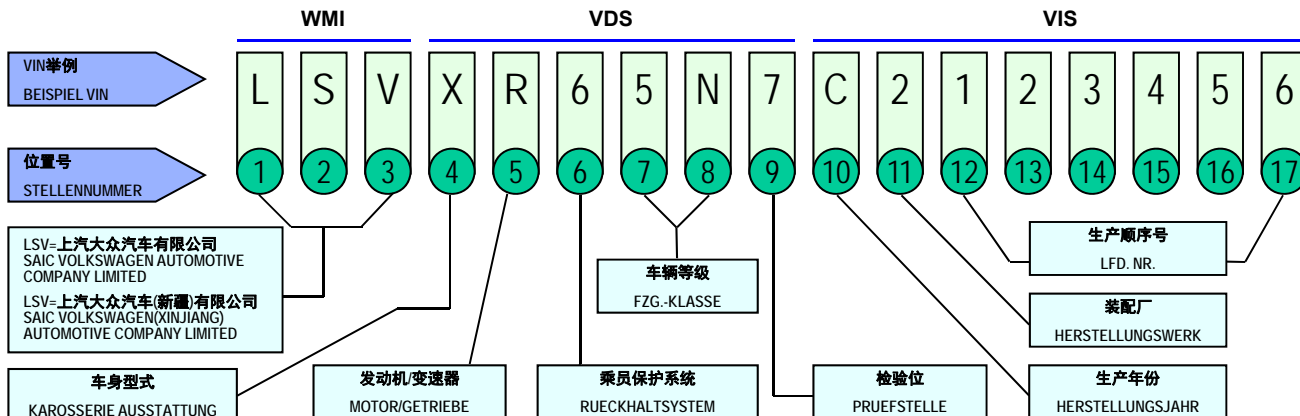


Fahrzeug-Identifizierungsnummer

FÜR SAIC VOLKSWAGEN

版本: 4.39  
VERSION:



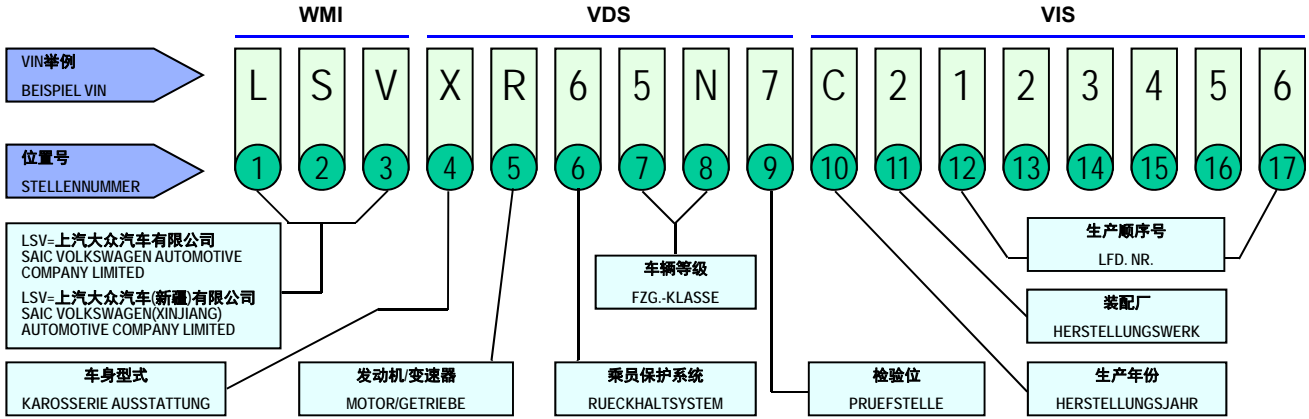
| 4 车身型式<br>KAROSSERIE AUSSTATTUNG |  |
|----------------------------------|--|
| A                                | K8B-4门折背式车身 (Fleet)<br>STUFENHECK, 4 TÜREN (Fleet)   |
| B                                | K8D-4门直背式车身<br>VARIANT, 4 TÜREN  |
| C                                | K8L-4门加长型折背式车身<br>STUFENHECK-LANGER RADSTAND, 4 TÜREN  |
| D                                | K8L-4门加长型折背式车身 (GP)<br>STUFENHECK-LANGER RADSTAND, 4 TÜREN (GP)  |
| E                                | K8L-4门加长型折背式车身 (GP/II)<br>STUFENHECK-LANGER RADSTAND, 4 TÜREN (GP/II)                                      |
| F                                | K8G-4门短背式车身 (Monte Carlo)<br>KURZHECK, 4 TÜREN (Monte Carlo)   |
| G                                | K8G-4门短背式车身 (GP)<br>KURZHECK, 4 TÜREN (GP)   |
| H                                | K8L-4门加长型折背式车身 (GP/III)<br>STUFENHECK-LANGER RADSTAND, 4 TÜREN (GP/III)                                    |
| J                                | K8L-4门加长型折背式车身 (GP/IV)<br>STUFENHECK-LANGER RADSTAND, 4 TÜREN (GP/IV)                                      |
| K                                | K8G-2门短背式车身<br>KURZHECK, 2 TÜREN   |
| L                                | K8P-MPV 4门车身 (5座) (Classic)<br>MPV, 4 TÜREN (5 SITZE) (Classic)  |
| M                                | K8P-MPV 4门车身 (7座) (Classic/Cross)<br>MPV, 4 TÜREN (7 SITZE) (Classic/Cross)                                |
| N                                | K8B-4门折背式车身 (GP/PA)<br>STUFENHECK, 4 TÜREN (GP/PA)   |
| P                                | K8G-4门短背式车身 (Cross/Scout/RS/Sport)<br>KURZHECK, 4 TÜREN (Cross/Scout/RS/Sport)                             |
| R                                | K8P-MPV 4门车身 (GP 5座)<br>MPV, 4 TÜREN (GP 5SITZE)   |
| S                                | K8P-MPV 4门车身 (GP/PA 7座)<br>MPV, 4 TÜREN (GP/PA 7SITZE)   |
| T                                | K8L-4门加长型折背式车身 (GPV)<br>STUFENHECK-LANGER RADSTAND, 4 TÜREN (GPV)  |
| U                                | K8P-SUV 4门加长型车身 (5座)<br>SUV, LANGER RADSTAND, 4 TÜREN (5SITZE)   |
| V                                | K8P-MPV 4门车身 (GP 5座 TAXI / 4座)<br>MPV, 4 TÜREN (GP 5 SITZE TAXI / 4 SITZE)                                 |
| W                                | K8B-4门折背式车身 (GP/II/PAII)<br>STUFENHECK, 4 TÜREN (GP/II/PAII)   |
| X                                | K8P-SUV 4门加长型车身 (GP/City/R-Line/Coupe/GT PA)<br>SUV, LANGER RADSTAND, 4 TÜREN (GP/City/R-Line/Coupe/GT PA) |
| Y                                | K8P-SUV 4门加长型车身 (外挂备胎/5/6座 PA)<br>SUV, LANGER RADSTAND, 4 TÜREN (Mit Reserverad/5/6SITZE PA)               |
| Z                                | K8P-SUV 4门加长型车身 (外挂备胎/City/7座 PA)<br>SUV, LANGER RADSTAND, 4 TÜREN (Mit Reserverad/City/7SITZE PA)         |
| 0                                | K8G-4门短背式车身 (Cross/Scout/RS/Sport GP)<br>KURZHECK, 4 TÜREN (Cross/Scout/RS/Sport GP)                       |
| 1                                | K8P-SUV 4门加长型车身 (6座)<br>SUV, LANGER RADSTAND, 4 TÜREN (6SITZE)   |
| 2                                | K8P-SUV 4门加长型车身 (7座)<br>SUV, LANGER RADSTAND, 4 TÜREN (7SITZE)   |
| 3                                | K8P-MPV 4门车身 (6座)<br>MPV, 4 TÜREN (6 SITZE)  |
| 4                                | K8P-MPV 4门车身 (5座/Cross)<br>MPV, 4 TÜREN (5 SITZE/Cross)  |
| 5                                | K8C-SUV (COUPE/GT) 4门加长型车身<br>SUV (COUPE/GT), LANGER RADSTAND, 4 TÜREN                                     |
| 6                                | K8P-MPV 4门车身 (6座/Cross)<br>MPV, 4 TÜREN (6 SITZE/Cross)  |
| 7                                | K8P-SUV 4门加长型车身 (7座/R-Line)<br>SUV, LANGER RADSTAND, 4 TÜREN (7 SITZE/R-Line)                              |

| 5 发动机/变速器<br>MOTOR/GETRIEBE   |  |
|---|--|
| <b>车型系列: 上海桑塔纳轿车 SANTANA</b><br>上海桑塔纳旅行轿车 SANTANA VARIANT<br>上海桑塔纳2000轿车 SANTANA 2000<br>上海桑塔纳3000轿车 SANTANA 3000 | <b>车型系列: 上海波罗轿车 POLO</b>                         |
| A AFE (026.N) / 2P (013.9)  | A BCC (036.P) / GET (02.T.Z) [FCU (02.T.Z)]      |
| G AYF (050.B) / OJ (013.3)  | B BCC (036.P) / GCU (001.H) [ESK (001.H)]        |
| H AJR (06B.C) [AYJ (06B.C)] / 2P (013.9)  | C BCD (06A.6) / GEV (02.T.U) [FXP (02.T.U)]      |
| J AYJ (06B.C) / FNV (01N.A)   | D BCC (036.P) / GRZ (02.T.Z)                     |
| K AFE (026.N) + LPG / 2P (013.9)  | E BCC (036.P) / GJG (001.H)                      |
| L AYF (050.B) + LPG / OJ (013.3)  | F BCD (06A.6) / HGB (09G.N)                      |
| M BKU (06B.P) + LPG / 2P (013.9) (两用燃料)   | G BMG (03C.1) / HGF (02.T.U)                     |
| N BKT (06B.P) / 2P (013.9)  | H BMG (03C.1) / HTJ (09G.R)                      |
| P BKT (06B.P) / FNV (01N.A)   | J BMH (03C.2) / GSK (02.T.U)                     |
| R BKU (06B.P) + LPG / 2P (013.9) (单燃料)  | K BMH (03C.2) / HTK (09G.R)                      |
| S AFE (026.N) + CNG / 2P (013.9) (两用燃料)   | L CDD (03C.1) / JHU (02.T.U)                     |
| T BKT (06B.P) + CNG / 2P (013.9) (两用燃料)   | M CDD (03C.1) / HTJ (09G.R)                      |
| U BSA (050.E) / OJ (013.3)  | N CDE (03C.2) / JGZ (02.T.R)                     |
| V BTL (06B.Q) / JAH (013.D)   | P CDE (03C.2) / HTK (09G.R)                      |
| W BTL (06B.Q) / FNV (01N.A)   | R CDD (03C.1) / LUZ (02.T.U) [JHU (02.T.U)]      |
| X CKZ (06B.P) + CNG / 2P (013.9) (两用燃料) (国IV)   | S CDD (03C.1) / KGF (09G.R) [HTJ (09G.R)]        |
| 1 BSA (050.E) / OJ (013.3) OBD  | T CDE (03C.2) / LUJ (02.T.R) [JGZ (02.T.R)]      |
| 2 BKU (06B.P) + LPG / 2P (013.9) (两用燃料) OBD   | U CDE (03C.2) / KGG (09G.R) [HTK (09G.R)]        |
| 3 BKU (06B.P) + LPG / 2P (013.9) (单燃料) OBD  | V CDD (03C.1) / LUZ (02.T.U) [JHU (02.T.U)] EHPS |
| 4 BKT (06B.P) / 2P (013.9) OBD  | 1 BMG (03C.1) / HGF (02.T.U) OBD                 |
| 5 BKT (06B.P) / FNV (01N.A) OBD   | 2 BMG (03C.1) / HTJ (09G.R) OBD                  |
| 6 BTL (06B.Q) / JAH (013.D) OBD   | 3 BMH (03C.2) / GSK (02.T.U) OBD                 |
| 7 BTL (06B.Q) / FNV (01N.A) OBD   | 4 BMH (03C.2) / HTK (09G.R) OBD                  |
| 8 BKT (06B.P) + CNG / 2P (013.9) (两用燃料) OBD   |  |
| 9 CKZ (06B.P) / 2P (013.9) OBD  | <b>车型系列: 上海高尔轿车 GOL</b>                          |
| 0 CMR (06B.S) / 2P (013.9) OBD  | A BHJ (050.C) / GPJ (013.D)                      |
|   | B BRZ (050.D) / GPJ (013.D)                      |
|   | C BRZ (050.D) / GPJ (013.D) OBD                  |
| <b>车型系列: 上海帕萨特轿车 PASSAT</b>   | <b>车型系列: 大众汽车(VOLKSWAGEN)<br/>TOURAN 多用途乘用车</b>  |
| A ANQ (06B.H) / DWB (01W.D) [FSN (0A9.A)]   | A CFU (06A.9) / HJK (0A4.D) (国IV)                |
| B ANQ (06B.H) / DMU (01N.A) [EPT (01N.A)]   | B CFU (06A.9) / HTR (09G.G) [HHH (09G.G)] (国IV)  |
| C AWL (06B.A) / EZS (01V.J)   | C BPL (06A.9) / HJK (0A4.D)                      |
| D AWL (06B.A) / EMG (01W.V) [GFS (01W.V)]   | D BPL (06A.9) / HTR (09G.G) [HHH (09G.G)]        |
| E BBG (078.2) / EZY (01V.B)   | E BPL (06A.9) / HJK (0A4.D) OBD                  |
| G BFF (06B.L) / EMV (01W.4) [GFZ (01W.4)]   | F BPL (06A.9) / HTR (09G.G) [HHH (09G.G)] OBD    |
| H BFF (06B.L) / EPT (01N.A)   | G BJJ (06B.L) / GUG (0A4.H) [KJK (0A4.H)]        |
| J 38K / FHN (01W.6)   | H BJJ (06B.L) / HTQ (09G.G) [GKC (09G.G)]        |
| L BGC (06B.M) / EZS (01V.J)   | J BJJ (06B.L) / GUG (0A4.H) [KJK (0A4.H)] OBD    |
| M BGC (06B.M) / EMG (01W.V) [GFS (01W.V)]   | K BJJ (06B.L) / HTQ (09G.G) [GKC (09G.G)] OBD    |
| N BNL (06B.L) / EMV (01W.4)   | L CSR (04E.3) / QTV (0A4.H) (国五)                 |
| P BNL (06B.L) / EPT (01N.A)   | M CGZ (06G.C) / KJK (0A4.H) OBD                  |
| R CED (06B.M) / JEC (01V.J)   | N CGZ (06G.C) / KGM (09G.G) OBD                  |
| S CED (06B.M) / KMA (01W.V)   | P CFB (03C.M) / LEL (0A4.D)                      |
| T CED (06B.M) / JEC (01V.J) [JET (01V.J)] OBD   | R CFB (03C.M) / MPH (0A4.M)                      |
| U CED (06B.M) / GFY (01W.3) [KMA (01W.V)] OBD   | S CFB (03C.M) / MPH (0A4.M) YH                   |
| V BPZ (03G.5) / GGB   | T CFB (03C.M) / LEL (0A4.D) (京V)                 |
| W SL1211 (FCV)  | U CFB (03C.M) / NTP (0A4.M) (京V)                 |
| X CMY (06B.M) / JEC (01V.F) OBD   | V CFB (03C.M) / LEL (0A4.D) (国五)                 |
| Y CMY (06B.M) / GFY (01W.V) OBD   | W CFB (03C.M) / NTP (0A4.M) (国五)                 |
| 1 BGC (06B.M) / EZS (01V.J) OBD   | X CFB (03C.M) / LEL (0A4.D) (国五)                 |
| 2 BGC (06B.M) / EMG (01W.V) [GFS (01W.V)] OBD   | Y CFB (03C.M) / NTP (0A4.M) (国五)                 |
| 3 BNL (06B.L) / EMV (01W.4) OBD   | Z CSR (04E.3) / QYM (0A4.H) (国五) (Rowl)          |
| 4 BNL (06B.L) / EPT (01N.A) OBD   |  |
| 5 BBG (078.2) / JED (01V.B) [EZY (01V.B)] OBD   |  |

Fahrzeug-Identifizierungsnummer

FÜR SAIC VOLKSWAGEN

版本: 4.39  
VERSION:

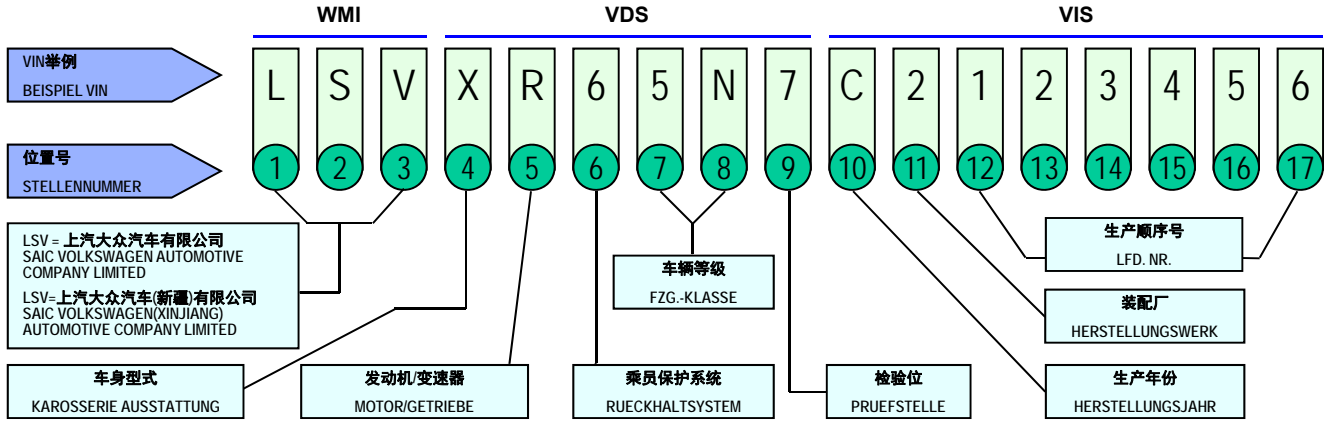


| 5 发动机/变速器<br>MOTOR/GETRIEBE   |   |   |
|---|---|---|
| <p><b>车型系列：上海明锐轿车OCTAVIA</b></p> <p>A BXX (06G.C) / JSV (0AF.C) [KKY (0AF.C)]<br/>CFB (03C.M) / LEL (0A4.D) (国五<sup>1</sup>)</p> <p>B BXX (06G.C) / HTQ (09G.G)<br/>CFB (03C.M) / NTP (0AM.J) (国五<sup>1</sup>)</p> <p>C BXX (06G.C) / JSV (0AF.C) [KKY (0AF.C)] OBD<br/>CPJ (03C.J) / NNL (0AF.C) (国五<sup>1</sup>)</p> <p>D BXX (06G.C) / HTQ (09G.G) OBD<br/>CPJ (03C.J) / KPH (09G.D) (国五<sup>1</sup>)</p> <p>E CGZ (06G.C) / KKY (0AF.C) [LVT (0AF.C)] OBD<br/>CEA (06J.4) / NTO (0AM.J) (国五<sup>1</sup>)</p> <p>F CGZ (06G.C) / KGM (09G.G) OBD<br/>CGM (06J.F) / NLR (02E.D) (国五<sup>1</sup>)</p> <p>G BYJ (06J.2) / KJN (09G.W)</p> <p>H BYJ (06J.2) / KJN (09G.W) OBD</p> <p>J BYJ (06J.2) / JOP (0A4.C) OBD</p> <p>K CDF (03C.2) / KHW (0AF.C)</p> <p>L CDF (03C.2) / KKO (09G.D)</p> <p>M CDF (03C.2) / KHW (0AF.C) OBD</p> <p>N CDF (03C.2) / KKO (09G.D) OBD</p> <p>P CFB (03C.M) / LEL (0A4.D)</p> <p>R CFB (03C.M) / MGK (0AM.J)</p> <p>S CEA (06J.4) / MGL (0AM.J)</p> <p>T CGM (06J.F) / MMA (02E.D) [NLR (02E.D)]</p> <p>U CFB (03C.M) / MGK (0AM.J) (GreenLine)</p> <p>V CLR (03C.2) / LVS (0AF.C)</p> <p>W CLR (03C.2) / KKO (09G.D)</p> <p>X CLR (03C.2) / LVS (0AF.C) (FL)</p> <p>Y CLR (03C.2) / KKO (09G.D) (FL)</p> <p>1 CPJ (03C.J) / NNL (0AF.C)</p> <p>2 CPJ (03C.J) / KPH (09G.D)</p> <p>3 CFB (03C.M) / NTP (0AM.J) (GreenLine)</p> <p>4 CEA (06J.4) / NTO (0AM.J) (京V)</p> <p>5 CGM (06J.F) / NLR (02E.D) (京V)</p> <p>6 CFB (03C.M) / LEL (0A4.D) (京V)</p> <p>7 CFB (03C.M) / NTP (0AM.J) (京V)</p> <p>8 CPJ (03C.J) / NNL (0AF.C) (京V)</p> <p>9 CPJ (03C.J) / KPH (09G.D) (京V)</p> <p><b>车型系列：朗逸轿车LAVIDA</b></p> <p><b>大众汽车(VOLKSWAGEN)NEW LAVIDA(FL)/GRAN LAVIDA</b></p> <p>A CDE (03C.2) / KBX (02T.S)<br/>CSR (04E.3) / NYZ (02T.S) (国五<sup>2</sup>) MQ200</p> <p>B CDE (03C.2) / KFM (09G.D)<br/>CSR (04E.3) / NKN (09G.D) (国五<sup>2</sup>) AQ250</p> <p>C CFB (03C.M) / PFS (02J.S) [MZB (02J.N)]<br/>CSS (04E.H) / PTJ (0AM.V) (国五<sup>2</sup>) DO200</p> <p>D CFB (03C.M) / NRN (0AM.J) [NBF (0AM.J)]<br/>CSR (04E.3) / PCM (02J.S) (国五<sup>2</sup>) (MQ250-Row)</p> <p>E CEN (06G.C) / KBY (02T.S)<br/>CST (04E.H) / PCM (02J.S) (国五<sup>2</sup>) (MQ250)</p> <p>F CEN (06G.C) / KCP (09G.D)<br/>CST (04E.H) / OPH (0AM.V) (国五<sup>2</sup>) DO200</p> <p>G CFN (03C.J) / NMR (02T.S) [LVJ (02T.S)]<br/>CST (04E.H) / OPH (02J.S) SSR (国五<sup>2</sup>)</p> <p>H CFN (03C.J) / KFM (09G.D)<br/>CUC (04E.3) / QVG (02T.K) (CNG-TAXI) (国五<sup>2</sup>)</p> <p>J CLS (03C.2) / LVJ (02T.S)<br/>CYA (04E.K) / OPJ (0AH.L) SSR (国五<sup>2</sup>)</p> <p>K CLS (03C.2) / KFM (09G.D)<br/>CYA (04E.K) / QOK (0AM.V) SSR (国五<sup>2</sup>)</p> | <p>L CFN (03C.J) / NMR (02T.S) YH<br/>CSR (04E.3) / PRZ (09G.R) (国五<sup>2</sup>) AQ160</p> <p>M CPJ (03C.J) / NMR (02T.S) (国IV)</p> <p>N CPJ (03C.J) / KFM (09G.D) (国IV)</p> <p>P CFB (03C.M) / PFS (02J.S) (京V)</p> <p>CST (04E.H) / PCM (02J.S) (国五<sup>2</sup>) (40g/cft)</p> <p>R CFB (03C.M) / NUE (0AM.J) (京V)<br/>CST (04E.H) / QME (0AM.V) SSR (国五<sup>2</sup>) (40g/cft)</p> <p>S CPJ (03C.J) / NMR (02T.S) (京V)<br/>CSS (04E.H) / PTJ (0AM.V) (国五<sup>2</sup>) (40g/cft)</p> <p>T CPJ (03C.J) / KFM (09G.D) (京V)<br/>CSR (04E.3) / NYZ (02T.S) (国五<sup>2</sup>) (MQ200-Row)</p> <p>U CSR (04E.3) / NYZ (02T.S) (国IV)</p> <p>V CSR (04E.3) / NKN (09G.D) (国IV)</p> <p>W CST (04E.H) / PCM (02J.S) (国IV)</p> <p>X CST (04E.H) / PGR (0AM.V) (国IV)</p> <p>Y CSR (04E.3) / NYZ (02T.S) (京V)<br/>CSR (04E.3) / PRZ (09G.R) (国五<sup>2</sup>) (AQ160-ECO-Row)</p> <p>Z CSR (04E.3) / NKN (09G.D) (京V)<br/>CYA (04E.K) / QOK (0AM.V) SSR (国五<sup>2</sup>) (40g/cft)</p> <p>1 PMS (90 kW) / A123 (80Ah)<br/>CST (04E.H) / QME (02J.S) SSR (国五<sup>2</sup>)</p> <p>2 PMS (80 kW) / UF261591 (75Ah)<br/>CSR (04E.3) / PRZ (09G.P) (国IV) AQ160</p> <p>3 CST (04E.H) / PCM (02J.S) (京V)<br/>DLF (04E.8) / SJZ (02T.S) SSR (国六)</p> <p>4 CST (04E.H) / PGR / PTJ (0AM.V) (京V)<br/>DLF (04E.8) / SXX (09G.R) SSR (国六)</p> <p>5 CST (04E.H) / PGR / PTJ (0AM.V) (BlueMotion) (京V)</p> <p>6 CSR (04E.3) / NYZ (02T.S) (国五<sup>1</sup>)</p> <p>7 CSR (04E.3) / NKN (09G.D) (国五<sup>1</sup>)</p> <p>8 CST (04E.H) / PCM (02J.S) (国五<sup>1</sup>)</p> <p>9 CST (04E.H) / PTJ (0AM.V) (国五<sup>1</sup>)</p> <p>0 CST (04E.H) / PTJ (0AM.V) (BlueMotion) (国五<sup>1</sup>)</p> <p><b>车型系列：斯柯达(SKODA)FABIA轿车</b></p> <p>A CDD (03C.1) / JHQ (02T.Z) OBD</p> <p>B CDD (03C.1) / JUE / KGF (09G.R) OBD</p> <p>C CDE (03C.2) / JHL (02T.R) OBD</p> <p>D CDE (03C.2) / JUF / KGG (09G.R) OBD</p> <p>E CLP (03C.1) / MAH (02T.V)</p> <p>F CLP (03C.1) / KGF (09G.R)</p> <p>G CLS (03C.2) / LNJ (02T.S)</p> <p>H CLS (03C.2) / KGG (09G.R)</p> <p>J CLP (03C.1) / MAH (02T.V) (PK)</p> <p>K CLP (03C.1) / KGF (09G.R) (PK)</p> <p>L CLS (03C.2) / LNJ (02T.S) (PK)</p> <p>M CLS (03C.2) / KGG (09G.R) (PK)</p> <p>N CPJ (03C.J) / LNJ (02T.S)</p> <p>P CPJ (03C.J) / KGG (09G.R)</p> <p>T CPJ (03C.J) / LNJ (02T.S) (YH)</p> <p>R CLP (03C.1) / MAH (02T.V) (京V)</p> <p>S CLP (03C.1) / KGF (09G.R) (京V)</p> <p>U CPJ (03C.J) / LNJ (02T.S) (京V)</p> <p>V CPJ (03C.J) / KGG (09G.R) (京V)</p> <p>W CLP (03C.1) / MAH (02T.V) (国五<sup>1</sup>)</p> <p>X CLP (03C.1) / KGF (09G.R) (国五<sup>1</sup>)</p> <p>Y CPJ (03C.J) / LNJ (02T.S) (国五<sup>1</sup>)</p> <p>Z CPJ (03C.J) / KGG (09G.R) (国五<sup>1</sup>)</p> | <p><b>车型系列：昊锐轿车SUPERB</b></p> <p>A CEA (06J.4) / JOP (0A4.C)</p> <p>B CEA (06J.4) / KGV (09G.E)</p> <p>C CGM (06J.F) / KGU (09G.E)</p> <p>D CFB (03C.M) / LEL (0A4.D)</p> <p>E CFB (03C.M) / PRB (0AM.J) [MGK (0AM.J)]</p> <p>F CFB (03C.M) / LEL (0A4.D) YH</p> <p>G CFB (03C.M) / PRB (0AM.J) [MGK(0AM.J)] (GreenLine)(京V)</p> <p>H CEA (06J.4) / JOP (0A4.C) (京V)</p> <p>J CEA (06J.4) / KGV (09G.E) (京V)</p> <p>K CGM (06J.F) / KGU (09G.E) (京V)</p> <p>L CFB (03C.M) / LEL (0A4.D) (京V)</p> <p>M CFB (03C.M) / PRB (0AM.J) [NTP (0AM.J)] (京V)</p> <p>R CGM (06J.F) / PBG (02E.C)</p> <p>S CGM (06J.F) / PBG (02E.C) (京V)</p> <p>T CFB (03C.M) / LEL (0A4.D) (国五<sup>1</sup>)</p> <p>U CFB (03C.M) / PRB (0AM.J) (国五<sup>1</sup>)</p> <p>V CFB (03C.M) / PRB (0AM.J) (GreenLine) (国五<sup>1</sup>)</p> <p>W CGM (06J.F) / PBG (02E.C) (国五<sup>1</sup>)</p> <p>X CEA (06J.4) / JOP (0A4.C) (国五<sup>1</sup>)</p> <p>Y CEA (06J.4) / KGV (09G.E) (国五<sup>1</sup>)</p> <p>N CFB (03C.M) / LEL (0A4.D) (国五<sup>2</sup>)</p> <p>P CFB (03C.M) / PRB (0AM.J) (国五<sup>2</sup>)</p> <p>Z CFB (03C.M) / PRB (0AM.J) (GreenLine) (国五<sup>2</sup>)</p> <p>0 CEA (06J.4) / JOP (0A4.C) (国五<sup>2</sup>)</p> <p>1 CEA (06J.4) / KGV (09G.E) (国五<sup>2</sup>)</p> <p>2 CGM (06J.F) / PBG (02E.C) (国五<sup>2</sup>)</p> <p><b>车型系列：大众汽车(VOLKSWAGEN)TIGUAN多用途乘用车</b></p> <p>A CEA (06J.4) / LMT (0BB.B)</p> <p>B CEA (06J.4) / LYB (09M.B)</p> <p>C CEA (06J.4) / LYA (09M.B) (4MOTION)</p> <p>D CGM (06J.F) / LYA (09M.B) (4MOTION)</p> <p>E CFB (03C.M) / LZV (0BB.B)</p> <p>F CEA (06J.4) / MYZ (09M.6) (MO)</p> <p>G CEA (06J.4) / MYY (09M.C)</p> <p>H CEA (06J.4) / MYZ (09M.6) (4MOTION)</p> <p>J CGM (06J.F) / MYZ (09M.6) (4MOTION)</p> <p>K CEA (06J.4) / LMT (0BB.B) (京V)</p> <p>L CEA (06J.4) / MYY (09M.C) (京V)</p> <p>M CEA (06J.4) / MYZ (09M.6) (4MOTION) (京V)</p> <p>N CGM (06J.F) / MYZ (09M.6) (4MOTION) (京V)</p> <p>P CFB (03C.M) / LZV (0BB.B) (京V)</p> <p>R CFB (03C.M) / LZV (0BB.B) (BlueMotion)</p> <p>S CFB (03C.M) / LZV (0BB.B) (BlueMotion) (国五<sup>1</sup>)</p> <p>T CEA (06J.4) / LMT (0BB.B) (国五<sup>1</sup>)</p> <p>U CEA (06J.4) / MYY (09M.C) (国五<sup>1</sup>)</p> <p>V CEA (06J.4) / MYZ (09M.6) (4MOTION) (国五<sup>1</sup>)</p> <p>W CGM (06J.F) / MYZ (09M.6) (4MOTION) (国五<sup>1</sup>)</p> <p>X CFB (03C.M) / LZV (0BB.B) (BlueMotion) (国五<sup>2</sup>)</p> <p>Y CEA (06J.4) / LMT (0BB.B) (国五<sup>2</sup>)</p> <p>Z CEA (06J.4) / MYY (09M.C) (国五<sup>2</sup>)</p> <p>0 CEA (06J.4) / MYZ (09M.6) (4MOTION) (国五<sup>2</sup>)</p> <p>1 CGM (06J.F) / MYZ (09M.6) (4MOTION) (国五<sup>2</sup>)</p> <p>2 CSS (04E.H) / QYV (02E.F) SSR (国五<sup>2</sup>)</p> <p>3 CSS (04E.H) / QYV (02E.F) SSR (国五<sup>2</sup>) (YH)</p> <p>4 CEA (06J.4) / MYY (09M.C) (国五<sup>2</sup>) (YH)</p> |

Fahrzeug-Identifizierungsnummer

FÜR SAIC VOLKSWAGEN

版本: 4.39  
VERSION:

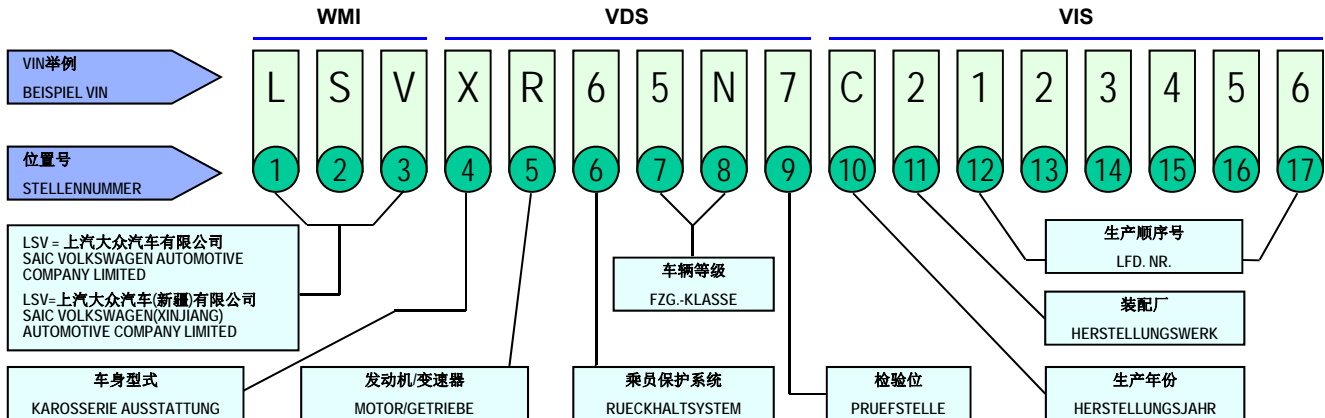


| 5 发动机变速器<br>MOTOR/GETRIEBE   |   |   |
|--|---|---|
| <b>车型系列: 大众汽车(VOLKSWAGEN)PASSAT轿车</b>                              | Z CSR (04E.3) / QAA (02T.R) (国五 <sup>2</sup> )                  | M CPD (04E.3) / NMT (09G.R) (国五 <sup>1</sup> )                  |
| A CFB (03C.M) / LEL (0A4.D)  | 0 CSR (04E.3) / PLS (09G.P) (国五 <sup>2</sup> )                  | N CPD (04E.3) / PLS (09G.P) (国五 <sup>1</sup> )                  |
| B CFB (03C.M) / MPO (0AM.S)  | 1 CSS (04E.H) / QJM (0AM.V) (国五 <sup>2</sup> )                  | P CKA (04E.1) / NJS (02T.V) (国五 <sup>2</sup> )                  |
| C CEA (06J.4) / NKM (09G.L)  | 2 CSR (04E.3) / PLS (09G.P) (国五 <sup>2</sup> ) (AQ160-ECO-Rowi) | R CPD (04E.3) / NJV (02T.R) (国五 <sup>2</sup> )                  |
| D CEA (06J.4) / MPJ (0AM.J)  | 3 CSR (04E.3) / QAA (02T.R) (国五 <sup>2</sup> ) (Rowi)           | S CPD (04E.3) / NMT (09G.R) (国五 <sup>2</sup> )                  |
| E CGM (06J.F) / MSX (02E.C) [ NLQ (02E.C) ]                        | 4 DAH (04E.1) / QNM (02T.K) (国五 <sup>2</sup> ) (Rowi)           | T CPD (04E.3) / PLS (09G.P) (国五 <sup>2</sup> )                  |
| F CNG (03H.F) / NJH (02E.M) [ NLW (02E.M) ]                        | 5 DAH (04E.1) / PRZ (09G.R) (国五 <sup>2</sup> ) (Rowi)           | U CKA (04E.1) / NJS (02T.V) (国五 <sup>2</sup> ) (Rowi)           |
| G CFB (03C.M) / LEL (0A4.D) YH                                     | 6 DLX (04E.8) / SJZ (02T.S) SSR (国五 <sup>2</sup> )              | V CPD (04E.3) / NJV (02T.R) (国五 <sup>2</sup> ) (Rowi)           |
| H CEA (06J.4) [ CDA (06J.4) ] / NTO (0AM.J) (京V)                   | 7 DLX (04E.8) / SXX (09G.R) SSR (国五 <sup>2</sup> )              | W CPD (04E.3) / PLS (09G.P) (国五 <sup>2</sup> ) (AQ160-ECO)      |
| J CGM (06J.F) / NLQ (02E.C) (京V)                                   | <b>车型系列: 大众汽车(VOLKSWAGEN)SANTANA轿车</b>                          | X CPD (04E.3) / PLS (09G.P) (国五 <sup>2</sup> ) (AQ160-ECO-Rowi) |
| K CNG (03H.F) / NLW (02E.M) (京V)                                   | A CKA (04E.1) / NJS (02T.V) (国IV)                               | Y DLX (04E.8) / SJZ (02T.S) SSR (国五 <sup>2</sup> ) (Rowi)       |
| L CFB (03C.M) / LEL (0A4.D) (京V)                                   | B CPD (04E.3) / NJV (02T.R) (国IV)                               | Z DLX (04E.8) / SXX (09G.R) SSR (国五 <sup>2</sup> ) (Rowi)       |
| M CFB (03C.M) / NTZ (0AM.S) (京V)                                   | C CPD (04E.3) / NMT (09G.R) (国IV)                               | 0 DLX (04E.8) / SJZ (02T.S) SSR (国五 <sup>2</sup> )              |
| N CFB (03C.M) / NTZ (0AM.S) (BlueMotion) (京V)                      | D CKA (04E.1) / NJS (02T.V) (京V)                                | 1 DLX (04E.8) / SXX (09G.R) SSR (国五 <sup>2</sup> )              |
| P CFB (03C.M) / LEL (0A4.D) (国五 <sup>1</sup> )                     | E CPD (04E.3) / NJV (02T.R) (京V)                                | 2 DLF (04E.8) / SJZ (02T.S) SSR (国六) (Rowi)                     |
| R CFB (03C.M) / NTZ (0AM.S) (国五 <sup>1</sup> )                     | F CPD (04E.3) / NMT (09G.R) (京V)                                | 3 DLF (04E.8) / SXX (09G.R) SSR (国六) (Rowi)                     |
| S CFB (03C.M) / NTZ (0AM.S) (BlueMotion) (国五 <sup>1</sup> )        | G CPD (04E.3) / PLS (09G.P) (国IV)                               | 4 DLF (04E.8) / SJZ (02T.S) SSR (国六)                            |
| T CEA (06J.4) / NTO (0AM.J) (国五 <sup>1</sup> )                     | H CPD (04E.3) / PLS (09G.P) (京V)                                | 5 DLF (04E.8) / SXX (09G.R) SSR (国六)                            |
| U CGM (06J.F) / NLQ (02E.C) (国五 <sup>1</sup> )                     | J CUC (04E.4) / PCD (02T.K) (两用燃料) (国IV)                        | <b>车型系列: 斯柯达(SKODA)YETI多用途乘用车</b>                               |
| V CNG (03H.F) / NLW (02E.M) (国五 <sup>1</sup> )                     | K CKA (04E.1) / NJS (02T.V) (国五 <sup>1</sup> )                  | A CSS (04E.H) / OFA (0A4.C) (京V)                                |
| W CFB (03C.M) / LEL (0A4.D) (国五 <sup>2</sup> )                     | L CPD (04E.3) / NJV (02T.R) (国五 <sup>1</sup> )                  | B CSS (04E.H) / PTK (0AM.U) (京V)                                |
| X CFB (03C.M) / NTZ (0AM.S) (国五 <sup>2</sup> )                     | M CPD (04E.3) / NMT (09G.R) (国五 <sup>1</sup> )                  | C CSR (04E.3) / PNQ (0AH.M) (国五 <sup>2</sup> )                  |
| Y CFB (03C.M) / NTZ (0AM.S) (BlueMotion) (国五 <sup>2</sup> )        | N CPD (04E.3) / PLS (09G.P) (国五 <sup>1</sup> )                  | D CEA (06J.4) / POU (02E.4) (京V)                                |
| Z CEA (06J.4) / NTO (0AM.J) (国五 <sup>2</sup> )                     | P CKA (04E.1) / NJS (02T.V) (国五 <sup>2</sup> )                  | E CSS (04E.H) / OFA (0A4.C) (国五 <sup>1</sup> )                  |
| 0 CGM (06J.F) / NLQ (02E.C) (国五 <sup>2</sup> )                     | R CPD (04E.3) / NJV (02T.R) (国五 <sup>2</sup> )                  | F CSS (04E.H) / PTK (0AM.U) (国五 <sup>1</sup> )                  |
| 1 CNG (03H.F) / POG (02E.M) (国五 <sup>2</sup> )                     | S CPD (04E.3) / NMT (09G.R) (国五 <sup>2</sup> )                  | G CEA (06J.4) / POU (02E.4) (国五 <sup>1</sup> )                  |
| 4 CSS (04E.H) / OGA (0A4.C) [ RNG (0A4.C) ] SSR (国五 <sup>2</sup> ) | T CPD (04E.3) / PLS (09G.P) (国五 <sup>2</sup> ) AO160            | H CSS (04E.H) / OFA (0A4.C) (国五 <sup>2</sup> )                  |
| 5 CSS (04E.H) / ROK (0CW.C) SSR (国五 <sup>2</sup> )                 | U CST (04E.H) / QFP (0AM.V) (国五 <sup>2</sup> )                  | J CSS (04E.H) / PTK (0AM.U) (国五 <sup>2</sup> )                  |
| 6 CEA (06J.4) / NKM (09G.L) (国五 <sup>2</sup> )                     | V CUC (04E.4) / PCD (02T.K) (两用燃料) (国五 <sup>2</sup> )           | K CEA (06J.4) / POU (02E.4) (国五 <sup>2</sup> )                  |
| 7 DBH (06K.G) / RFT (0DE.A) SSR (国五 <sup>2</sup> )                 | W CST (04E.H) / QFP (0AM.V) SSR (国五 <sup>2</sup> )              | L CEA (06J.4) / POU (02E.4) (国五 <sup>2</sup> ) (YH)             |
| 9 DBJ (06K.H) / RFT (0DE.A) SSR (国五 <sup>2</sup> )                 | X CKA (04E.1) / NJS (02T.V) (国五 <sup>2</sup> ) (Rowi)           | <b>车型系列: 斯柯达(SKODA)RAPID(Spaceback)轿车</b>                       |
| <b>车型系列: 大众汽车(VOLKSWAGEN)POLO轿车</b>                                | Y CPD (04E.3) / NJV (02T.R) (国五 <sup>2</sup> ) (Rowi)           | A CST (04E.H) / QFP (0AM.V) (国五 <sup>1</sup> )                  |
| A CLP (03C.1) / MAH (02T.V)  | Z CPD (04E.3) / PLS (09G.P) (国五 <sup>2</sup> ) (AQ160-ECO)      | B CPD (04E.3) / SJZ (02T.R) (国五 <sup>1</sup> )                  |
| B CLP (03C.1) / MHD (09G.R)  | 0 CPD (04E.3) / PLS (09G.P) (国五 <sup>2</sup> ) (AQ160-ECO-Rowi) | C CPD (04E.3) / PLS (09G.P) (国五 <sup>1</sup> )                  |
| C CLS (03C.2) / LNJ (02T.R)  | 1 DLX (04E.8) / SJZ (02T.S) SSR (国五 <sup>2</sup> ) (Rowi)       | D CPD (04E.3) / NJV (02T.R) (国IV)                               |
| D CLS (03C.2) / MFZ (09G.R)  | 2 DLX (04E.8) / SXX (09G.R) SSR (国五 <sup>2</sup> ) (Rowi)       | E CPD (04E.3) / PLS (09G.P) (国IV)                               |
| E CPJ (03C.J) / LNJ (02T.S)  | 3 DLX (04E.8) / SJZ (02T.S) SSR (国五 <sup>2</sup> )              | F CST (04E.H) / QFP (0AM.V) (国五 <sup>2</sup> )                  |
| F CPJ (03C.J) / MFZ (09G.R)  | 4 DLX (04E.8) / SXX (09G.R) SSR (国五 <sup>2</sup> )              | G CPD (04E.3) / NJV (02T.R) (国五 <sup>2</sup> )                  |
| G CFB (03C.M) / NUF (0AM.T) (国IV)                                  | 5 DLF (04E.8) / SJZ (02T.S) SSR (国六) (Rowi)                     | H CPD (04E.3) / PLS (09G.P) (国五 <sup>2</sup> )                  |
| H CFB (03C.M) / NUF (0AM.T) (京V)                                   | 6 DLF (04E.8) / SXX (09G.R) SSR (国六) (Rowi)                     | J CKA (04E.1) / NJS (02T.V) (国IV)                               |
| I CPJ (03C.J) / LNJ (02T.S) (YH)                                   | 7 DLF (04E.8) / SJZ (02T.S) SSR (国六)                            | K CKA (04E.1) / NJS (02T.V) (国五 <sup>2</sup> )                  |
| J CLP (03C.1) / MAH (02T.V) (YH)                                   | 8 DLF (04E.8) / SXX (09G.R) SSR (国六)                            | L CKA (04E.1) / NJS (02T.V) (国五 <sup>2</sup> ) (Rowi)           |
| K CLP (03C.1) / MAH (02T.V) (京V)                                   | <b>车型系列: 斯柯达(SKODA)RAPID轿车</b>                                  | M CPD (04E.3) / NJV (02T.R) (国五 <sup>2</sup> ) (Rowi)           |
| L CLP (03C.1) / MHD (02T.V) (京V)                                   | A CKA (04E.1) / NJS (02T.V) (国IV)                               | N CPD (04E.3) / PLS (09G.P) (国五 <sup>2</sup> ) (AQ160-ECO)      |
| M CLP (03C.1) / MHD (09G.R) (京V)                                   | B CPD (04E.3) / NJV (02T.R) (国IV)                               | P CPD (04E.3) / PLS (09G.P) (国五 <sup>2</sup> ) (AQ160-ECO-Rowi) |
| N CPJ (03C.J) / LNJ (02T.S) (京V)                                   | C CPD (04E.3) / NMT (09G.R) (国IV)                               | R DLX (04E.8) / SJZ (02T.S) SSR (国五 <sup>2</sup> ) (Rowi)       |
| P CPJ (03C.J) / MFZ (09G.R) (京V)                                   | D CKA (04E.1) / NJS (02T.V) (京V)                                | S DLX (04E.8) / SXX (09G.R) SSR (国五 <sup>2</sup> ) (Rowi)       |
| R CFB (03C.M) / NUF (0AM.T) (国五 <sup>1</sup> )                     | E CPD (04E.3) / NJV (02T.R) (京V)                                | T DLF (04E.8) / SJZ (02T.S) SSR (国六) (Rowi)                     |
| S CLP (03C.1) / MAH (02T.V) (国五 <sup>1</sup> )                     | F CPD (04E.3) / NMT (09G.R) (京V)                                | U DLF (04E.8) / SXX (09G.R) SSR (国六) (Rowi)                     |
| T CLP (03C.1) / MHD (09G.R) (国五 <sup>1</sup> )                     | G CPD (04E.3) / PLS (09G.P) (国IV)                               |   |
| U CPJ (03C.J) / LNJ (02T.S) (国五 <sup>1</sup> )                     | H CPD (04E.3) / PLS (09G.P) (京V)                                |   |
| V CPJ (03C.J) / MFZ (09G.R) (国五 <sup>1</sup> )                     | K CKA (04E.1) / NJS (02T.V) (国五 <sup>1</sup> )                  |   |
| X DAH (04E.1) / QNM (02T.K) (国五 <sup>2</sup> )                     | L CPD (04E.3) / NJV (02T.R) (国五 <sup>1</sup> )                  |   |
| Y DAH (04E.1) / PRZ (09G.R) (国五 <sup>2</sup> )                     |   |   |
| Z CSR (04E.3) / QAA (02T.R) (国五 <sup>2</sup> )                     |   |   |

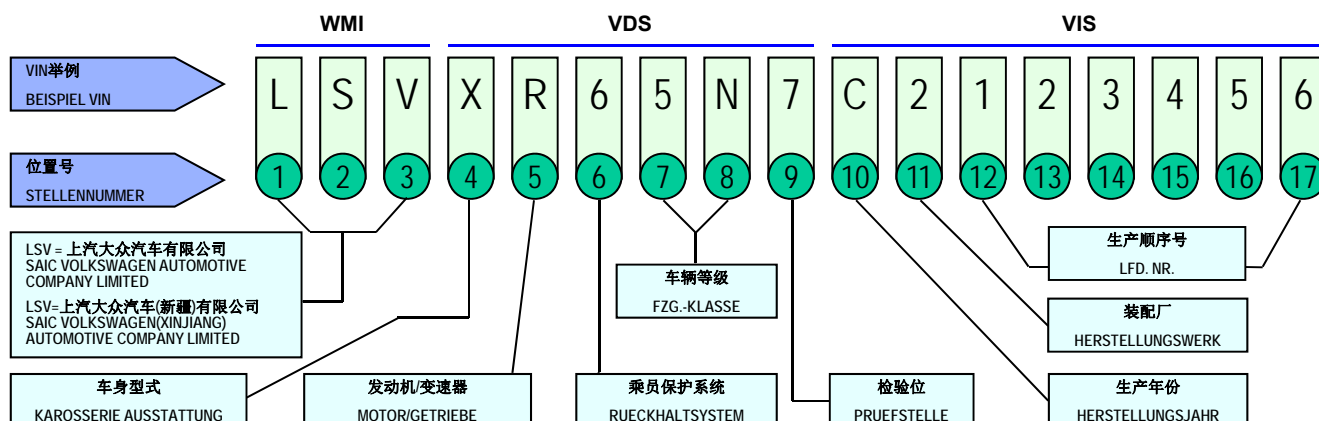
Fahrzeug-Identifizierungsnummer

FÜR SAIC VOLKSWAGEN

版本: 4.39  
VERSION:



| 5 发动机/变速器<br>MOTOR/GETRIEBE   |   |   |
|---|---|---|
| <p><b>车型系列: 斯柯达(SKODA)OCTAVIA NF/PA轿车(SK371/0)</b></p> <p>A CSR (04E.3) / PSU (02T.R) (国五<sup>2</sup>)</p> <p>B CSR (04E.3) / PLS (09G.P) (国五<sup>1</sup>)</p> <p>C CSS (04E.H) / PCH (04A.C) (国五<sup>1</sup>)</p> <p>D CSS (04E.H) / OFP (04M.V) (国五<sup>1</sup>)</p> <p>E CSR (04E.3) / PSU (02T.R) (国五<sup>2</sup>)</p> <p>F CSR (04E.3) / PLS (09G.P) (国五<sup>2</sup>)</p> <p>G CSS (04E.H) / PCH (04A.C) (国五<sup>2</sup>)</p> <p>H CSS (04E.H) / OFP (04M.V) (国五<sup>2</sup>)</p> <p>J CSS (04E.H) / PCH (04A.C) SSR (国五<sup>2</sup>)</p> <p>K CSS (04E.H) / OFP (04M.V) SSR (国五<sup>2</sup>)</p> <p>L DBW (04E.H) / QJL (0CW.C) (国五<sup>2</sup>)</p> <p>M CSS (04E.H) / OTB (0CW.C) (国五<sup>2</sup>) (40g/cft)</p> <p>N CSS (04E.H) / SNB (0CW.C) SSR (国五<sup>2</sup>) (40g/cft)</p> <p>P DJN (04E.K) / SNC (0CW.C) SSR (国五<sup>2</sup>)</p> <p>R DJN (04E.K) / SNC (0CW.C) SSR (国五<sup>2</sup>) (Rowi)</p> <p>S CSS (04E.H) / SNB (0CW.C) SSR (国五<sup>2</sup>) (Rowi)</p> <p>T DLS (04E.K) / SNC (0CW.C) SSR (国六) (Rowi)</p> <p>U DJS (04E.H) / SNB (0CW.C) SSR (国六) (Rowi)</p> <p>V DLW (04E.8) / SJZ (02T.S) SSR (国五<sup>2</sup>) (Rowi)</p> <p>W DLW (04E.8) / SXK (09G.R) SSR (国五<sup>2</sup>) (Rowi)</p> <p>X DMB (04E.8) / SJZ (02T.S) SSR (国六) (Rowi)</p> <p>Y DMB (04E.8) / SXK (09G.R) SSR (国六) (Rowi)</p> <p>Z CSS (04E.H) / SNB (0CW.C) SSR (国五<sup>2</sup>) (S.Rowi)</p> <p>1 DLS (04E.K) / FD7CW001 (0CW.C) SSR (国六/PN<sup>11</sup>)</p> <p>2 DJS (04E.H) / FD7CW001 (0CW.M) SSR (国六/PN<sup>11</sup>)</p> | <p>C CSR (04E.3) / QAA (02T.R) (国五<sup>2</sup>)</p> <p>D CSR (04E.3) / PLS (09G.P) (国五<sup>2</sup>)</p> <p>E CSR (04E.3) / PLS (09G.P) (国五<sup>2</sup>) (AQ160-ECO)</p> <p>G DAH (04E.1) / ONM (02T.K) (国五<sup>2</sup>) (Rowi)</p> <p>H DAH (04E.1) / PRZ (09G.R) (国五<sup>2</sup>) (Rowi)</p> <p><b>车型系列: 斯柯达(SKODA)SUPERB NF/PA轿车(SK481/0)</b></p> <p>A CSS (04E.H) / RNG (04A.C) (国五<sup>2</sup>)</p> <p>B CSS (04E.H) / OTB (0CW.C) (国五<sup>2</sup>)</p> <p>C CSS (04E.H) / RNG (04A.C) SSR (国五<sup>2</sup>)</p> <p>D CSS (04E.H) / OTB (0CW.C) SSR (国五<sup>2</sup>)</p> <p>E CUF (06K.G) / RFT (0DE.A) (国五<sup>2</sup>)</p> <p>F CUF (06K.G) / RFT (0DE.A) SSR (国五<sup>2</sup>)</p> <p>G CUG (06K.H) / RFT (0DE.A) (国五<sup>2</sup>)</p> <p>H CUG (06K.H) / FD7DE002 (0DE.B) SSR (国五<sup>2</sup>)</p> <p>J DKX (06K.6) / DQ381 (0DL.C) SSR (国六) (Rowi)</p> <p>K DJS (04E.H) / FD7CW001 (0CW.C) SSR (国六/PN<sup>11</sup>)</p> <p>L DKV (06K.5) / DQ381 (0DL.C) SSR (国六/PN<sup>11</sup>)</p> <p>M DKX (06K.6) / DQ381 (0DL.C) SSR (国六/PN<sup>11</sup>)</p> <p>N CUF (06K.G) / RFT (0DE.A) (国五<sup>2</sup>) (Rowi)</p> <p>P CUF (06K.G) / RFT (0DE.A) SSR (国五<sup>2</sup>) (Rowi)</p> <p>R CUG (06K.H) / FD7DE002 (0DE.B) SSR (国五<sup>2</sup>) (Rowi)</p> <p>S DPL (06K.5) / DQ381 (0DL.C) SSR (国六/PN<sup>11</sup>)</p> <p>T DJS (04E.H) / FD7CW001 (0CW.C) SSR (国六/PN<sup>11</sup>)</p> <p>U <b>DLE (04E.H) / FD7CW001 (0CW.C) SSR (国六/RDE)</b></p> | <p>N DKX (06K.6) / AD7DL004 (0DL.6) SSR (国六/PN<sup>11</sup>) PSM</p> <p>P DPL (06K.5) / DQ381-7F (0DW.D) SSR/4M (国六/PN<sup>11</sup>) PSM</p> <p>R DKX (06K.6) / AD7DW003 (0DW.1) DQ381 (国六/PN<sup>11</sup>) PSM</p> <p>W DXJ (04E.P) / FD6DD002 (0DD.C) SSR (国六/mit RDE) [EBB(85kW)/BATTYPV49(350V/37Ah)]</p> <p>X DUK (04E.P) / FD6DD002 (0DD.C) SSR (国六/PN<sup>11</sup>) [EBB(85kW)/BATTYPV17(350V/37Ah)] UABC</p> <p>Y DUK (04E.P) / FD6DD002 (0DD.C) SSR (国六/PN<sup>11</sup>) [EBB(85kW)/BATTYPV17(350V/37Ah)] CATL</p> <p>Z DJZ (04E.H) / FD6DD002 (0DD.C) SSR (国五<sup>2</sup>) [EBB(85kW)/BATTYPV15(350V/34.7Ah)]</p> <p><b>车型系列: 大众汽车(VOLKSWAGEN)PHIDEON轿车/PHEV插电式混合动力轿车(VW511/1)</b></p> <p>A CYY (06L.L) / RKW (0CK.E) SSR (国五<sup>2</sup>)</p> <p>B CUH (06L.C) / RKX (0CK.E) SSR (国五<sup>2</sup>)</p> <p>C DMJ (06L.V) / FD7CK002 (0CK.E) SSR (国六)常规悬架</p> <p>D CRE (06K.6) / PXF (0B5.Q) SSR (国五<sup>2</sup>)</p> <p>E CPE (06H.M) / FA8BW004 (0BW.3) SSR (国五<sup>2</sup>) [TZ269XY(45kW)/BATTYPA19(382V/37.5Ah)]</p> <p>F DMJ (06L.V) / FD7CK002 (0CK.E) SSR (国六)空气悬架</p> <p><b>车型系列: 大众汽车(VOLKSWAGEN)TERAMONT (PA)/TERAMONT X (PA)多用途乘用车(VW416/0)</b></p> <p>A DBF (06K.P) / QJR (0DL.C) SSR (国五<sup>2</sup>)</p> <p>B CUG (06K.H) / QJO (0DL.6) SSR (国五<sup>2</sup>)</p> <p>C DDK (03H.M) / QTD (0DL.7) SSR (国五<sup>2</sup>)</p> <p>D DKV (06K.5) / QJR (0DL.C) SSR (国六)</p> <p>E DPL (06K.5) / QJR (0DL.C) SSR (国六/PN<sup>11</sup>)</p> <p>F DKX (06K.6) / QTD (0DL.6) SSR (国六)</p> <p>G DPK (03H.M) / QTD (0DL.7) SSR (国六)</p> <p>H DPL (06K.5) / QJR (0DL.C) SSR (国六/PN<sup>11</sup>)</p> <p>J DME (03H.M) / QTD (0DL.7) SSR (国六/PN<sup>11</sup>)</p> <p>K <b>DPL (06K.5) / FD7AK001 (0AK.A) SSR (国六/PN<sup>11</sup>) PSM</b></p> <p>L <b>DKX (06K.6) / AD7AK001 (0AK.1) SSR (国六/PN<sup>11</sup>) PSM</b></p> <p>M DME (03H.M) / AD7AK001 (0AK.2) SSR (国六/PN<sup>11</sup>) PSM</p> <p>R DME (03H.M) / AD7AK001 (0AK.2) SSR (国六/RDE)</p> <p>S <b>DKX (06K.6) / AD7AK001 (0AK.1) SSR (国六/PN<sup>11</sup>) JZL</b></p> <p>T <b>DME (03H.M) / AD7AK001 (0AK.2) SSR (国六/RDE) PKO</b></p> |
| <p><b>车型系列: 大众汽车(VOLKSWAGEN)LAMANDO轿车(VW313/0)</b></p> <p>A CST (04E.H) / OSX (04A.C) (国五<sup>2</sup>)</p> <p>B CST (04E.H) / ORV (0CW.C) (国五<sup>2</sup>)</p> <p>C CSS (04E.H) / OSX (04A.C) (国五<sup>2</sup>)</p> <p>D CSS (04E.H) / ORV (0CW.C) (国五<sup>2</sup>)</p> <p>E CUF (06K.G) / PVQ (0DE.A) (国五<sup>2</sup>)</p> <p>F CUF (06K.G) / PVQ (0DE.A) SSR (国五<sup>2</sup>)</p> <p>G CUG (06K.H) / RZX (0DE.A) SSR (国五<sup>2</sup>)</p> <p>H CST (04E.H) / OSX (04A.C) (国五<sup>2</sup>) SSR (40g/cft)</p> <p>J CST (04E.H) / ORV (0CW.C) (国五<sup>2</sup>) SSR (40g/cft)</p> <p>K CSS (04E.H) / OSX (04A.C) (国五<sup>2</sup>) SSR (40g/cft)</p> <p>L CSS (04E.H) / ORV (0CW.C) (国五<sup>2</sup>) SSR (40g/cft)</p> <p>M CST (04E.H) / OSX (04A.C) SSR (国五<sup>2</sup>)</p> <p>N CST (04E.H) / ORV (0CW.C) SSR (国五<sup>2</sup>)</p> <p>P CSS (04E.H) / OSX (04A.C) SSR (国五<sup>2</sup>)</p> <p>R CSS (04E.H) / ORV (0CW.C) SSR (国五<sup>2</sup>)</p> <p>S DJR (04E.H) / OSX (04A.C) SSR (国六)</p> <p>T DJR (04E.H) / ORV (0CW.C) SSR (国六)</p> <p>U DJS (04E.H) / ORV (0CW.C) SSR (国六)</p> <p>V DJR (04E.H) / FD7CW001 (0CW.C) SSR (国六/PN<sup>11</sup>)</p> <p>W DSA (04E.9) / FD7CW001 (0CW.C) SSR (国六/PN<sup>11</sup>)</p> <p>X DJS (04E.H) / FD7CW001 (0CW.C) SSR (国六/PN<sup>11</sup>)</p> <p>Y DSB (04E.9) / FD7CW001 (0CW.C) SSR (国六/PN<sup>11</sup>)</p> <p>Z DJS (04E.H) / FD7CW001 (0CW.C) SSR (国六/PN<sup>11</sup>) GTS</p>   | <p><b>车型系列: 大众汽车(VOLKSWAGEN)TOURAN L多用途乘用车(VW378/0)</b></p> <p>A CSS (04E.H) / RNG (04A.C) SSR (国五<sup>2</sup>)</p> <p>B CSS (04E.H) / OTB (0CW.C) SSR (国五<sup>2</sup>)</p> <p>C CUF (06K.G) / RFT (0DE.A) SSR (国五<sup>2</sup>)</p> <p>D CSS (04E.H) / RNG (04A.C) SSR (国五<sup>2</sup>) (40g/cft)</p> <p>E CSS (04E.H) / OTB (0CW.C) SSR (国五<sup>2</sup>) (40g/cft)</p> <p>F CSR (04E.3) / PSU (02T.R) (国五<sup>2</sup>)</p> <p>G DJS (04E.H) / RNG (04A.C) SSR (国六)</p> <p>H DJS (04E.H) / FD7CW001 (0CW.M) SSR (国六)</p> <p>J DNC (04E.8) / SJZ (02T.S) SSR (国六) (Rowi)</p> <p>K DJS (04E.H) / FD7CW001 (0CW.M) SSR (国六/PN<sup>11</sup>)</p> <p>L <b>DJS (04E.H) / FD7CW001 (0CW.M) SSR (国六/PN<sup>11</sup>) S.Rowi</b></p>   | <p><b>车型系列: 大众汽车(VOLKSWAGEN)TIGUAN L多用途乘用车/TIGUAN L PHEV (PA)插电式混合动力多用途乘用车(VW326/0/1)</b></p> <p>A CSS (04E.H) / SDZ (02Q.N) SSR (国五<sup>2</sup>)</p> <p>B CSS (04E.H) / SGE (0D9.G) SSR (国五<sup>2</sup>)</p> <p>C CUF (06K.G) / SNG (0DE.B) SSR (国五<sup>2</sup>)</p> <p>C CUF (06K.G) / SNG (0DE.B) SSR (国五<sup>2</sup>)</p> <p>D DBF (06K.P) / SNG (0DE.B) SSR (国五<sup>2</sup>)</p> <p>E CUG (06K.H) / QJO (0DL.6) SSR (国五<sup>2</sup>)</p> <p>F CUG (06K.H) / QJO (0DL.6) SSR (国五<sup>2</sup>)</p> <p>G DJZ (04E.H) / DQ381 (0DW.D) SSR (国六)</p> <p>H DKV (06K.5) / DQ381 (0DW.D) SSR (国六)</p> <p>H DKX (06K.6) / DQ500 (0DL.6) SSR (国六/PN<sup>11</sup>)</p> <p>J DPL (06K.5) / FD7DW004 (0DW.D) SSR (国六/PN<sup>11</sup>)</p> <p>K DJS (04E.H) / FD7DW001 (0DW.D) SSR (国六/PN<sup>11</sup>)</p> <p>L DKX (06K.6) / AD7DW003 (0DW.D) SSR (国六/PN<sup>11</sup>)</p> <p>M DPL (06K.5) / FD7DW004 (0DW.D) SSR (国六/PN<sup>11</sup>) S.Rowi</p> <p>N DKX (06K.6) / DQ381-7A (0DW.D) SSR (国六/PN<sup>11</sup>) S.Rowi</p>  |
| <p><b>车型系列: 斯柯达(SKODA)FABIA NF轿车(SK260/0)</b></p> <p>A DAH (04E.1) / ONM (02T.K) (国五<sup>2</sup>)</p> <p>B DAH (04E.1) / PRZ (09G.R) (国五<sup>2</sup>)</p>   |   |   |

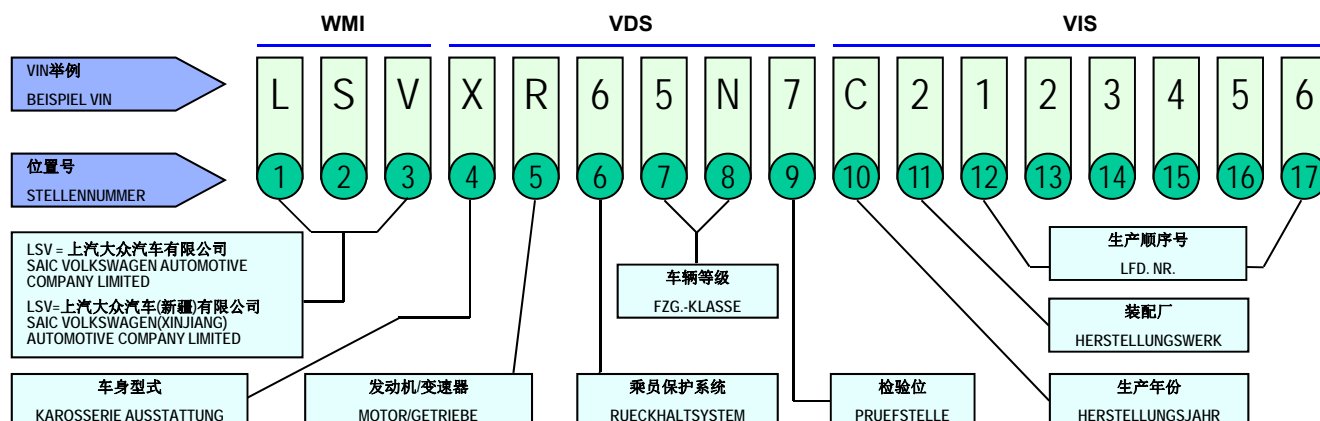


| 5 发动机/变速器<br>MOTOR/GETRIEBE  |   |  |
|--|---|--|
| <p><b>车型系列: 斯柯达(SKODA)KAROQ多用途乘用车(SK326/0)</b></p> <p>B DJN (04E.K) / SNB (0CW.C) SSR (国五²)</p> <p>C CSS (04E.H) / SNB (0CW.C) SSR (国五²)</p> <p>D DLS (04E.K) / DQ200 (0CW.C) SSR (国六)</p> <p>E DJS (04E.H) / FD7CW001 (0CW.M) SSR (国六/PN¹²)</p> <p>F DJS (04E.H) / FD7CW001 (0CW.M) SSR (国六/PN¹¹)</p> <p>G DSB (04E.9) / FD7CW001 (0CW.M) SSR (国六/PN¹¹)</p> <p>H DJT (04E.H) / FD7CW001 (0CW.M) SSR (国六/RDE)</p> <p>J DSB (04E.9) / FD7CW001 (0CW.M) SSR (国六/PN¹¹)PKO</p> <p><b>车型系列: 斯柯达(SKODA)KAMIO多用途乘用车(SK316/3)</b></p> <p>A DLX (04E.8) / SJZ (02T.S) (国五²)</p> <p>B DLX (04E.8) / SJZ (02T.S) SSR (国五²)</p> <p>C DLX (04E.8) / SXX (09G.R) SSR (国五²)</p> <p>D DLF (04E.8) / SJZ (02T.S) SSR (国六)</p> <p>E DLF (04E.8) / SXX (09G.R) SSR (国六)</p> <p>F DLS (04E.K) / DQ200 (0CW.C) SSR (国六/PN¹²)</p> <p>G DLS (04E.K) / DQ200 (0CW.C) SSR (国六/PN¹¹)</p> <p><b>车型系列: 大众汽车(VOLKSWAGEN)LAVIDA NF(VW331/4)/GRAN LAVIDA NF(VW330/4)轿车/LAVIDA NF BEV(VW331/4)纯电动轿车</b></p> <p>A DLW (04E.8) / MQ200 (0AF.Z) SSR (国五²)</p> <p>B DLW (04E.8) / AQ160 (09G.R) SSR (国五²)</p> <p>C DJN (04E.K) / DQ200 (0CW.C) SSR (国五²)</p> <p>D CSS (04E.H) / DQ200 (0CW.C) SSR (国五²)</p> <p>E DMB (04E.8) / MQ200 (0AF.Z) SSR (国六)</p> <p>F DMB (04E.8) / AQ160 (09G.R) SSR (国六)</p> <p>G DLS (04E.K) / FD7CW001 (0CW.M) SSR (国六/PN¹²)</p> <p>H DJS (04E.H) / FD7CW001 (0CW.M) SSR (国六/PN¹²)</p> <p>J DLS (04E.K) / FD7CW001 (0CW.M) SSR (国六/PN¹¹)</p> <p>K DJS (04E.H) / FD7CW001 (0CW.M) SSR (国六/PN¹¹)</p> <p>L DSB (04E.9) / FD7CW001 (0CW.M) SSR (国六/PN¹¹)</p> <p>M DLC (04E.K) / FD7CW001 (0CW.M) SSR (国六/RDE)</p> <p>V EBD (100kW) / BATTYPV48(352V/125.3Ah/59Ah)(140W-h/kg)</p> <p>X EBD (100kW) / BATTYPV43/47(350V/113.6Ah)(125W-h/kg)</p> <p>Y EBD (100kW) / BATTYPV20/46(350V/108Ah)(120W-h/kg)</p> <p>Z EBD (100kW) / BATTYPV20(350V/99Ah)(105W-h/kg)</p> <p><b>车型系列: 大众汽车(VOLKSWAGEN)THARU(VW316/5)多用途乘用车</b></p> <p>A DJN (04E.K) / DQ200 (0CW.C) SSR (国五²)</p> <p>B DLS (04E.K) / DQ200 (0CW.C) SSR (国六)</p> <p>C CSS (04E.H) / DQ200 (0CW.C) SSR (国五²)</p> <p>D DJS (04E.H) / FD7CW001 (0CW.M) SSR (国六)</p> <p>E DKV (06K.5) / AD7DW001 (0DW.2) SSR (国六)</p> <p>F DPL (06K.5) / AD7DW001 (0DW.2) SSR (国六/PN¹¹)</p> <p>G DLS (04E.K) / DQ200 (0CW.C) SSR (国六/PN¹¹)</p> <p>H DJS (04E.H) / FD7CW001 (0CW.M) SSR (国六/PN¹¹)</p> <p>J DSB (04E.9) / FD7CW001 (0CW.M) SSR (国六/PN¹¹)</p> <p>K DSB (04E.9) / FD7CW001 (0CW.M) SSR (国六/PN¹¹)PSM1</p> <p>M DPL (06K.5) / AD7DW001 (0DW.2) SSR (国六/PN¹¹)PSM1</p> <p>Z EBD(100kW)/BATTYPV37(352V/122Ah/60Ah)(135.7W-h/kg)</p> | <p><b>车型系列: 大众汽车(VOLKSWAGEN)POLO NF(VW270/0)轿车</b></p> <p>A DMB (04E.8) / MQ200 (02T.S) SSR (国六)</p> <p>B DMB (04E.8) / AQ160 (09G.R) SSR (国六)</p> <p><b>车型系列: 大众汽车(VOLKSWAGEN)PASSAT NF轿车/PHEV插电式混合动力轿车(VW421/1)</b></p> <p>A CSS (04E.H) / FD7CW001 (0CW.C) SSR (国五²)</p> <p>B DBF (06K.PJ) / F07DE002 (0DE.B) SSR (国五²)</p> <p>C DJS (04E.H) / FD7CW001 (0CW.C) SSR (国六)</p> <p>D DKV (06K.5) / FD7DW003 (0DW.B) SSR (国六)</p> <p>E DKX (06K.6) / FD7DW003 (0DW.B) SSR (国六/PN¹¹)</p> <p>F DPL (06K.5) / FD7DW003 (0DW.B) SSR (国六/PN¹¹)</p> <p>G DJS (04E.H) / FD7CW001 (0CW.C) SSR (国六/PN¹¹)</p> <p>H DJS (04E.H) / FD7CW001 (0CW.C) SSR (国六/PN¹¹) WLTP</p> <p>J DLE (04E.H) / FD7CW001 (0CW.C) SSR (国六/RDE)</p> <p>X DXJ (04E.P) / FD6DD001 (0DD.B) SSR (国六/RDE) [EBB(85kW)/BATTYPV49(350V/37Ah)]</p> <p>Y DUK (04E.P) / FD6DD001 (0DD.B) SSR (国六/PN¹¹) [EBB(85kW)/BATTYPV17(350V/37Ah)]</p> <p>Z DJZ (04E.H) / FD6DD001 (0DD.B) SSR (国五²) [EBB(85kW)/BATTYPV15(350V/34.7Ah)]</p> <p><b>车型系列: 大众汽车(VOLKSWAGEN)T-CROSS(VW216/0)多用途乘用车</b></p> <p>A DMB (04E.8) / MQ200 (02T.S) SSR (国六)</p> <p>B DMB (04E.8) / AQ160 (09G.R) SSR (国六)</p> <p>C DLS (04E.K) / DQ200 (0CW.C) SSR (国六/PN¹¹)</p> <p>D DJS (04E.H) / DQ200 (0CW.C) SSR (国六)</p> <p>E DMB (04E.8) / MQ200 (02T.S) SSR (国六/PN¹¹)</p> <p>F DMB (04E.8) / AQ160 (09G.R) SSR (国六/PN¹¹)</p> <p>G DJS (04E.H) / DQ200 (0CW.C) SSR (国六/PN¹¹)</p> <p>H DLC (04E.K) / FD7CW001 (0CW.C) SSR (国六/RDE)</p> <p><b>车型系列: 大众汽车(VOLKSWAGEN)VILORAN(VW418/2)多用途乘用车</b></p> <p>A DKX (06K.6) / FD7DL002 (0DL.C) SSR (国六/PN¹¹)</p> <p>B DPL (06K.5) / FD7DL002 (0DL.C) SSR (国六/PN¹¹)</p> <p>C DPL (06K.5) / FD7AK001 (0AK.1) SSR (国六/PN¹¹)</p> <p>D DKX (06K.6) / FD7AK001 (0AK.1) SSR (国六/PN¹¹)</p> <p><b>车型系列: 大众汽车(VOLKSWAGEN)MEB ID.4 X 纯电动多用途乘用车(VW316/6)</b></p> <p>A EBN(125kW) / BATTYPV30(55kWh/170W-h/kg)</p> <p>B EBN(150kW) / BATTYPV32(83.4kWh/175W-h/kg)</p> <p>C EBR/EBN(75kW/150kW) / BATTYPV32(83.4kWh/175W-h/kg)</p> <p>D EBN(125kW) / BATTYPV30(55kWh/165W-h/kg) PED</p> <p><b>车型系列: 斯柯达(SKODA)OCTAVIA A8轿车(SK381/0)</b></p> <p>A DJS (04E.H) / FD7CW001 (0CW.P) SSR (国六/PN¹¹)</p> <p>B DLE (04E.H) / FD7CW001 (0CW.P) SSR (国六/RDE)</p> <p><b>车型系列: 大众汽车(VOLKSWAGEN)MEB ID.6 X 纯电动多用途乘用车(VW316/7)</b></p> <p>A EBP(125kW) / BATTYPV31(63.2kWh/172W-h/kg)</p> <p>B EBP(150kW) / BATTYPV32(83.4kWh/175W-h/kg)</p> <p>C EBR/EBP(75kW/150kW) / BATTYPV32(83.4kWh/175W-h/kg)</p> | <p><b>车型系列: 大众汽车(VOLKSWAGEN)MEB NEO ID.3 纯电动轿车(VW310/6)</b></p> <p>A EBN(125kW) / BATTYPV30(55kWh/170W-h/kg)</p> <p>B EBN(125kW) / BATTYPV30(55kWh/165W-h/kg) PED</p> <p><b>车型系列: 奥迪(AUDI)A7L(Limousine)轿车(AU581/1)</b></p> <p>A DTK (06T.B) / FD7DN004 (0DN.C) SSR (国六/RDE)</p> <p>B DTK (06T.B) / AD7DP002 (0DP.A) SSR (国六/RDE)</p> <p>C DLZ (06M.C) / AD7HL001 (0HL.B) SSR (国六/RDE)</p> <p>D DLH (06L.D) / FD7DN004 (0DN.C) SSR (国六/PN¹¹)</p> <p>E DLH (06L.D) / AD7DP002 (0DP.A) SSR (国六/PN¹¹)</p> <p><b>车型系列: 大众汽车(VOLKSWAGEN)LAMANDO NF(VW323/0)轿车</b></p> <p>A DJS (04E.H) / FD7CW001 (0CW.P) SSR (国六/PN¹¹)</p> <p>B DLE (04E.H) / FD7CW001 (0CW.P) SSR (国六/RDE)</p> <p>C DJS (04E.H) / FD7CW001 (0CW.P) SSR (国六/PN¹¹) PKO</p> <p><b>车型系列: 奥迪(AUDI)MEB A+SUV纯电动多用途乘用车(VW316/6)</b></p> <p>A EBP(132kW) / BATTYPV31(63.2kWh)</p> <p>B EBP(150kW) / BATTYPV32(83.4kWh)</p> <p>C EBR/EBP(80kW/150kW) / BATTYPV32(83.4kWh)</p> <p><b>车型系列: 奥迪(AUDI)C SUV多用途乘用车(AU516/3)</b></p> <p>A DVL (06Q.B) 170kW / AD7AK001 (0AK.1) SSR (国六/RDE)</p> <p>B DVL (06Q.B) 195kW / AD7AK001 (0AK.1) SSR (国六/RDE)</p> |

Fahrzeug-Identifizierungsnummer

FÜR SAIC VOLKSWAGEN

版本: 4.39  
VERSION:



| 6 乘员保护系统<br>RUECKHALTSYSTEM |   |
|-----------------------------|---|
| 0                           | 安全带<br>ACTIVE BELTS   |
| 1                           | 安全气囊(驾驶员)<br>DRIVER DEPOWERED AIR BAG   |
| 2                           | 安全气囊(驾驶员和副驾驶、前后侧面)<br>DUAL DEPOWERED AIR BAGS, SIDE IMPACT BAGS FRONT   |
| 3                           | 安全气囊(驾驶员和副驾驶、前后侧面)<br>DUAL DEPOWERED AIR BAGS, SIDE IMPACT BAGS FRONT AND REAR  |
| 4                           | 安全气囊(驾驶员和副驾驶)<br>DUAL DEPOWERED AIR BAGS  |
| 5                           | 安全气囊(驾驶员和副驾驶、前后座侧面、头部)<br>DUAL DEPOWERED AIR BAGS, SIDE IMPACT BAGS FRONT AND REAR, HEAD BAGS                         |
| 6                           | 安全气囊(驾驶员和副驾驶、前后侧面、头部)<br>DUAL DEPOWERED AIR BAGS, SIDE IMPACT BAGS FRONT, HEAD BAGS                                   |
| 7                           | 安全气囊(驾驶员和副驾驶、前后座侧面、头部、膝部)<br>DUAL DEPOWERED AIR BAGS, SIDE IMPACT AIR BAGS FRONT AND REAR, HEAD AIR BAGS, KNEE AIRBAG |
| 8                           | 安全气囊(驾驶员和副驾驶、前后侧面、头部、膝部)<br>DUAL DEPOWERED AIR BAGS, SIDE IMPACT AIR BAGS FRONT, HEAD AIR BAGS, KNEE AIR BAG          |

| 7-8 车辆等级<br>FZG.-KLASSE |   |
|-------------------------|---|
| 33                      | 上海桑塔纳轿车 SANTANA<br>上海桑塔纳旅行轿车 SANTANA VARIANT<br>上海桑塔纳2000轿车 SANTANA 2000<br>上海桑塔纳3000轿车 SANTANA 3000            |
| 9F                      | 上海帕萨特轿车 PASSAT  |
| 9J                      | 上海波罗轿车 POLO   |
| 5X                      | 上海高尔轿车 GOL  |
| 1T                      | 大众汽车(VOLKSWAGEN)TOURAN多用途乘用车  |
| 1Z                      | 上海明锐轿车 OCTAVIA  |
| 18                      | 大众汽车(VOLKSWAGEN)LAVIDA轿车  |
| 55                      | 斯柯达(SKODA)Fabia轿车   |
| 3T                      | 斯柯达(SKODA)SUPERB轿车  |
| 5N                      | 大众汽车(VOLKSWAGEN)TIGUAN多用途乘用车  |
| 6R                      | 大众汽车(VOLKSWAGEN)POLO轿车  |
| A4                      | 大众汽车(VOLKSWAGEN)NEW PASSAT/PASSAT GP轿车(VW411/1)   |
| BR                      | 大众汽车(VOLKSWAGEN)NEW SANTANA轿车(350/1)  |
| NG                      | 斯柯达(SKODA)RAPID轿车(SK351/1)  |
| 5L                      | 斯柯达(SKODA)YETI多用途乘用车(SK316/0)   |
| 0G                      | 斯柯达(SKODA)RAPID(Spaceback)轿车(SK350/3)   |
| 5E                      | 斯柯达(SKODA)OCTAVIA NF轿车(SK371/0)   |
| BM                      | 大众汽车(VOLKSWAGEN)LAMANDO轿车(VW313/0)  |
| 0F                      | 斯柯达(SKODA)FABIA NF轿车(SK260/0)   |
| NP                      | 斯柯达(SKODA)SUPERB NF轿车(SK481/0)  |
| 0R                      | 大众汽车(VOLKSWAGEN)TOURAN NF多用途乘用车(VW378/0)  |
| 3E                      | 大众汽车(VOLKSWAGEN)PHIDEON轿车/PHEV插电式混合动力轿车(VW511/1)  |
| 0T                      | 大众汽车(VOLKSWAGEN)TIGUAN L (PA/X)多用途乘用车/PHEV插电式混合动力多用途乘用车(VW326/0/1)  |
| CA                      | 大众汽车(VOLKSWAGEN)TERAMONT /TERAMONT PA多用途乘用车(VW416/0)<br>TERAMONT X (Coupe)/TERAMONT X (Coupe) PA多用途乘用车(VW416/1) |
| 0Z                      | 斯柯达(SKODA)KODIAQ (GT/PA)多用途乘用车(SK326/1)   |
| 0X                      | 斯柯达(SKODA)KAROO多用途乘用车(SK326/0)  |
| 0N                      | 斯柯达(SKODA)KAMIQ多用途乘用车(SK316/3)  |
| 0C                      | 大众汽车(VOLKSWAGEN)LAVIDA NF/GRAN LAVIDA NF轿车(VW331/VW330)   |
| 0E                      | 大众汽车(VOLKSWAGEN)LAVIDA NF BEV纯电动轿车(VW331/4)   |
| B2                      | 大众汽车(VOLKSWAGEN)THARU多用途乘用车(VW316/5)  |
| C4                      | 大众汽车(VOLKSWAGEN)PASSAT NF轿车/PHEV插电式混合动力轿车(VW421/1)  |
| AW                      | 大众汽车(VOLKSWAGEN)POLO NF轿车(VW270/0)  |
| C1                      | 大众汽车(VOLKSWAGEN)T CROSS多用途乘用车(VW216/0)  |
| C6                      | 大众汽车(VOLKSWAGEN)WILORAN多用途乘用车(VW418/2)  |
| E4                      | 大众汽车(VOLKSWAGEN)MEB ID.4 X纯电动多用途乘用车(VW316/6)  |
| E5                      | 大众汽车(VOLKSWAGEN)MEB ID.6 X纯电动多用途乘用车(VW316/7)  |
| E9                      | 大众汽车(VOLKSWAGEN)MEB NEO (ID.3)纯电动轿车(VW310/6)  |
| NX                      | 斯柯达(SKODA)OCTAVIA A8轿车(SK381/0)   |
| F2                      | 奥迪(AUDI)A7L(Limousine)轿车(AU581/1)   |
| G4                      | 奥迪(AUDI)Q5 e-Tron纯电动多用途乘用车(AU316/3)   |
| DM                      | 大众汽车(VOLKSWAGEN)LAMANDO NF轿车(VW323/0)   |
| G6                      | 奥迪(AUDI)C SUV多用途乘用车(AU516/3)  |

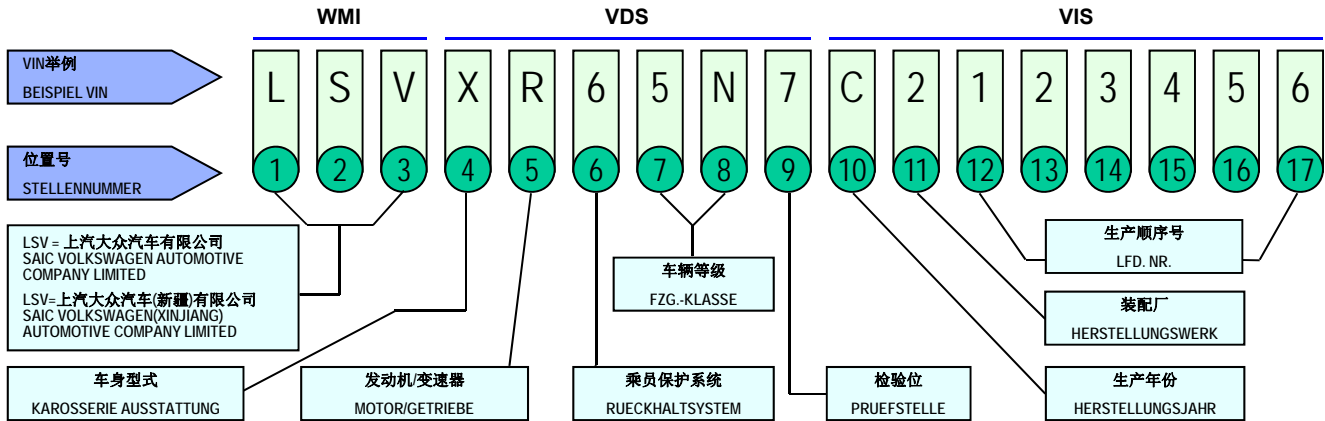
# 上汽大众汽车有限公司车辆识别代号系统

附件1

## FAHRZEUG-IDENTIFIZIERUNGSNUMMER

版本: 4.39  
VERSION:

### FÜR SAIC VOLKSWAGEN



| 10 生产年份<br>HERSTELLUNGSJAHR |            |            |            |            |            |            |            |
|-----------------------------|------------|------------|------------|------------|------------|------------|------------|
| 年份<br>JAHR                  | 代码<br>CODE | 年份<br>JAHR | 代码<br>CODE | 年份<br>JAHR | 代码<br>CODE | 年份<br>JAHR | 代码<br>CODE |
| 2001                        | 1          | 2011       | B          | 2021       | M          | 2031       | 1          |
| 2002                        | 2          | 2012       | C          | 2022       | N          | 2032       | 2          |
| 2003                        | 3          | 2013       | D          | 2023       | P          | 2033       | 3          |
| 2004                        | 4          | 2014       | E          | 2024       | R          | 2034       | 4          |
| 2005                        | 5          | 2015       | F          | 2025       | S          | 2035       | 5          |
| 2006                        | 6          | 2016       | G          | 2026       | T          | 2036       | 6          |
| 2007                        | 7          | 2017       | H          | 2027       | V          | 2037       | 7          |
| 2008                        | 8          | 2018       | J          | 2028       | W          | 2038       | 8          |
| 2009                        | 9          | 2019       | K          | 2029       | X          | 2039       | 9          |
| 2010                        | A          | 2020       | L          | 2030       | Y          | 2040       | A          |

| 11 装配厂<br>HERSTELLUNGSWERK |   |
|----------------------------|---|
| 2                          | 上汽大众汽车有限公司 (上海 安亭)<br>SAIC VOLKSWAGEN AUTOMOTIVE COMPANY LIMITED (Shanghai Anting)<br>上汽大众汽车有限公司 新能源汽车分公司 (上海 安亭)<br>SAIC VOLKSWAGEN AUTOMOTIVE COMPANY LIMITED MEB (Shanghai Anting)   |
| N                          | 上汽大众汽车有限公司 (江苏 南京/仪征)<br>SAIC VOLKSWAGEN AUTOMOTIVE COMPANY LIMITED (Jiangsu Nanjing/Yizheng)<br>上汽大众汽车有限公司 (浙江 宁波)<br>SAIC VOLKSWAGEN AUTOMOTIVE COMPANY LIMITED (Zhe.Jiang Ningbo)<br>上汽大众汽车有限公司 (湖南 长沙)<br>SAIC VOLKSWAGEN AUTOMOTIVE COMPANY LIMITED (Hunan Changsha) |
| U                          | 上汽大众汽车(新疆)有限公司 (新疆 乌鲁木齐)<br>SAIC VOLKSWAGEN (XINJIANG) AUTOMOTIVE COMPANY LIMITED (Xinjiang Urumqi)   |